

Bulletin 700-HG

- Panel Mount with Screw Terminals
- 30 A Power Relay
- SPST-NO-DM
- SPDT
- DPST-NO
- DPDT
- Panel Mounting
- Optional SPDT 10 A Rated Auxiliary Switch for Alarm Circuits
- Optional Magnetic Blowouts for Switching DC Loads

TABLE OF CONTENTS

Description	Page	Description	Page
Product Selection	99	Specifications	101
Accessories	100	Approximate Dimensions	102

Description

The Bulletin 700-HG General Purpose Relays feature an open style construction. They provide the **highest** load-switching capability of all of the Allen-Bradley general-purpose relays (up to 2 Hp). They offer multiple contact configurations for several different applications. Optional magnetic blowouts are available for switching larger DC loads. All coils use class B coil insulation, and are available in a variety of AC and DC voltages.

Conformity to Standards:

EN 60947-4-1
EN 60947-5-1
IEC 947
CSA 22.2
UL 508


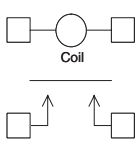

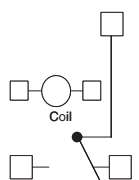


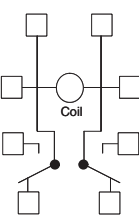
Approvals:

CSA Certified, File LR70803
UL Listed, File E3125
Guide NLDX 2
CE Marked (per EU Low Voltage Directive 73/23 EEC 93/68 EEC)

Your order must include:

- Cat. No. of the plug-in relay plus suffixes of selection options.
- Cat. No. of socket required.
- If required, Cat. No. of any accessories.

Power Relay with Screw Terminals #6-32 for Coil, #8-32 for Contacts

	Description	Contact Ratings	Wiring Diagrams	Coil Voltage	Cat. No. ❶❷	Factory-stocked Item ❸
 SPST-NO-DM	SPST-NO-DM 1 Form X AgCdO Contacts	30 A (A600)		24V AC	700-HG45A24	✓
				120V AC	700-HG45A1	✓
				240V AC	700-HG45A2 ❹	✓
				277V AC	700-HG45A27	
				480V AC	700-HG45A4	✓
				12V DC	700-HG45Z12	✓
				24V DC	700-HG45Z24	✓
				48V DC	700-HG45Z48	
 SPDT	SPDT 1-pole 1 Form C AgCdO Contacts	30 A (A600)		24V AC	700-HG46A24	
				120V AC	700-HG46A1	✓
				240V AC	700-HG46A2	
				12V DC	700-HG46Z12	
				24V DC	700-HG46Z24	✓
				48V DC	700-HG46Z48	
				110V DC	700-HG46Z1	
				 DPST-NO	DPST-NO 2-pole 2 Form A AgCdO Contacts	30 A (A600)
120V AC	700-HG47A1 ❺	✓				
240V AC	700-HG47A2	✓				
480V AC	700-HG47A4					
12V DC	700-HG47Z12					
24V DC	700-HG47Z24	✓				
48V DC	700-HG47Z48					
110V DC	700-HG47Z1					
 DPDT	DPDT 2-pole 2 Form C AgCdO Contacts	30 A (A600)		24V AC	700-HG42A24	✓
				120V AC	700-HG42A1 ❻	✓
				240V AC	700-HG42A2 ❻	✓
				277 AC	700-HG42A27	✓
				12V DC	700-HG42Z12	
				24V DC	700-HG42Z24	✓
				48V DC	700-HG42Z48	
				110V DC	700-HG42Z1	
				220V DC	700-HG42Z2	
				250V DC	700-HG42Z25	

- ❶ Auxiliary Snap Switch Option: Add suffix (-5) to the selected Bulletin 700-HG relay Cat. No.
- ❷ Magnetic Blowout Option: Add suffix (-6) to the selected Bulletin 700-HG relay Cat. No. (suppresses the arc when switching DC loads – ratings listed below).
- ❸ Bulk Package Option: Relay can be purchased at discounted prices in bulk quantities of 36 (Cat. No. 700-HG42...) or 45 (Cat. Nos. 700-HG45... and 700-HG47...). Add suffix (-99) to the selected relay Catalog Number.
- ❹ Single Pack

Contact Ratings: AC Ratings SPST-NO-DM					Contact Ratings: AC Ratings SPDT, DPST – NO and DPDT						
Volts	Inductive			Resistive – Make/Break and Continuous	Hp	Volts	Inductive			Resistive – Make/Break and Continuous	Hp ❹
	Make	Break	Continuous				Make	Break	Continuous		
120	60 A	6 A	10 A	30 A	2	120	60 A	6 A	10 A	30 A	1-1/2
240	30 A	3 A	10 A	30 A		240	30 A	3 A	10 A	30 A	
480	15 A	1.5 A	10 A	12 A	2	480	15 A	1.5 A	10 A	5 A	1-1/2
600	12 A	1.2 A	10 A	10 A		600	12 A	1.2 A	10 A	5 A	

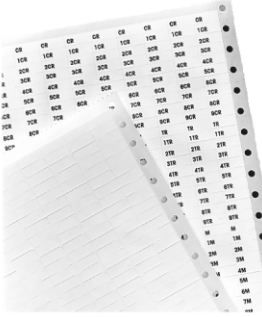
❹ For DPDT only: 2 Hp Switching 2 Poles, 200...600V AC, 50/60 Hz.

DC Ratings: Without Magnetic Blowouts – 28V 30 A – Make, Break and Continuous				Est Drop 125V 1.5...3 A			
DC Ratings: With Magnetic Blowouts:				SPST – NO – DM		SPDT, DPST – NO and DPDT	
Make, Break and Continuous	110V			20 A			10 A
	220V			8 A			4 A
	325V			4 A			2 A
	500V			2 A			—

Auxiliary Snap Action Switch

Contact	Material	Rating	Dielectric Withstand V (1 Min.)
SPDT (1 Form C)	Silver Cad. Ox.	10 A at 120 or 240 Resistive	1500V AC RMS Contact to Frame

Bulletin 700-HG
Power Relays
Accessories

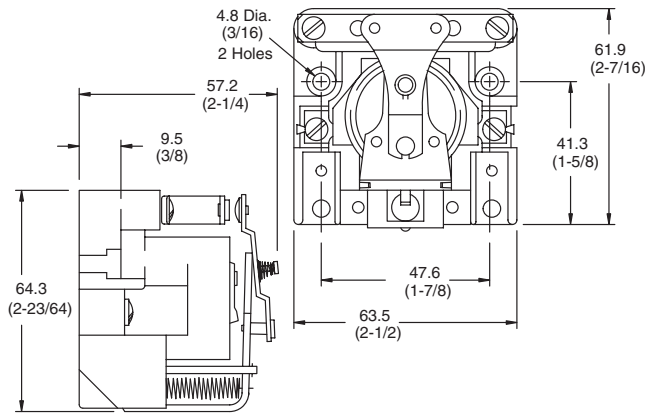
	Description	Pkg. Qty.	Cat. No.	Factory-stocked Item
	<p>Pre-printed identification tags – contains 10 sheets of pre-printed and blank tags. Each sheet contains 13 sets of the markings CR...9CR, TR...9TR, M...9M, F, R, 1S, and 117 blank tags. Tags are peel-off with sticky backing for easy placement on relays.</p>	10	700-N40	
	<p>Blank identification tags – contains 10 sheets of blank identification tags for customer specialized printing. Each sheet contains 546 blank tags. Tags are peel-off with sticky backing for easy placement on relays.</p>	10	700-N41	

		Cat. No. 700-HG...		
Electrical Ratings				
Pilot Duty Rating ❷		A600		
Rated Thermal Current (I_{th})		30 A		
Rated Insulation Voltage (U_i)		600V UL		
Contacts	Inductive	Make	Break	Hp
	120V AC	▶ ◀	◀ ▶	1-1/2
	240V AC	60 A	6 A	1-1/2
	DC	30 A	3 A	
Permissible Coil Voltage Variation		28V DC, 30 A		
		80...110% of Nominal Voltage at 50 Hz 85...110% of Nominal Voltage at 60 Hz 80...110% of Nominal Voltage at DC		
Coil Consumption ±10%	AC Coils	50 Hz	60 Hz	
		Inrush	13 VA	16 VA
	Sealed	10 VA	11 VA	
DC Coils		2.0 W		
Design Specification/Test Requirements				
Dielectric Withstand Voltage	Pole-to-Pole	2200V AC		
	Contact to Pole	2200V		
	Contact to Frame	2200V AC		
Mechanical				
Degree of Protection		Open Type		
Mechanical Life Operations		5 x 10 ⁶		
Switching Frequency Operations		1600/Hr		
Coil Voltages		See Product Selection		
Operating Time at Nominal Voltage at 20°C	Pickup	40 ms		
	Dropout	35 ms		
Maximum Operating Rate		—		
Environmental				
Temperature	Operating	-30...+55°C (-22...+122°F)		
	Storage	-30...+65°C (-22...+149°F)		
Altitude		2000 m (6560 ft.)		
Construction				
Insulating Material		Molded Thermo Setting Plastic		
Enclosure		—		
Contact Material		Silver Cadmium Oxide		
Terminal Markings on Socket		—		
Sockets		N/A		

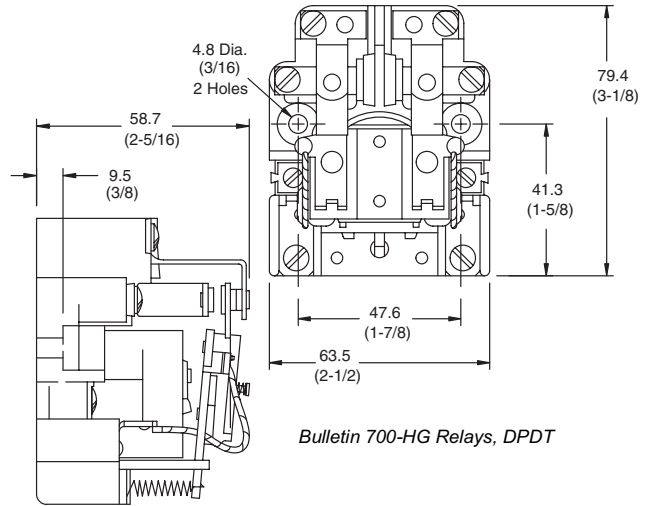
- ❶ Performance Data – See page Important-2, publication A113.
- ❷ NEMA Rating Chart is on page 29.

Bulletin 700-HG
Power Relays
Approximate Dimensions

Dimensions are shown in millimeters (inches). Dimensions are not intended to be used for manufacturing purposes.



*Bulletin 700-HG Relays, SPST-NO-DM, SPDT, DPST-NO
 Screw Terminals #6-32 Coil, #8-32 for contacts*



Bulletin 700-HG Relays, DPDT