

# Proximity Sensors Inductive

## Short body, Stainless Steel Housing

### Types IA, M5 w/short-circuit protection

5 years warranty

CARLO GAVAZZI



- Miniature stainless steel housing M5
- Short body
- Sensing distance: 1.0 mm
- Power supply: 10 to 30 VDC
- Output: Transistor NPN/PNP, make or break switching
- Protection: Transients, reverse polarity and short-circuit protection
- LED-indication for output ON
- 2 m PVC cable or M8 plug



## Product Description

Miniature inductive proximity sensor with reduced body length. Output configuration for NPN/PNP with both NO and NC types as standard. M5 stainless steel housing. Connection with 2 m PVC cable or M8 plug.

## Ordering Key

IA 05 BSF 10 NO M5 P

Ind. prox. switch	IA
Housing style	05
Housing size	BSF
Housing material	10
Housing length	NO
Detection principle	M5
Sensing distance	P
Output type	
Output configuration	
Connection	
Protected	

## Type Selection

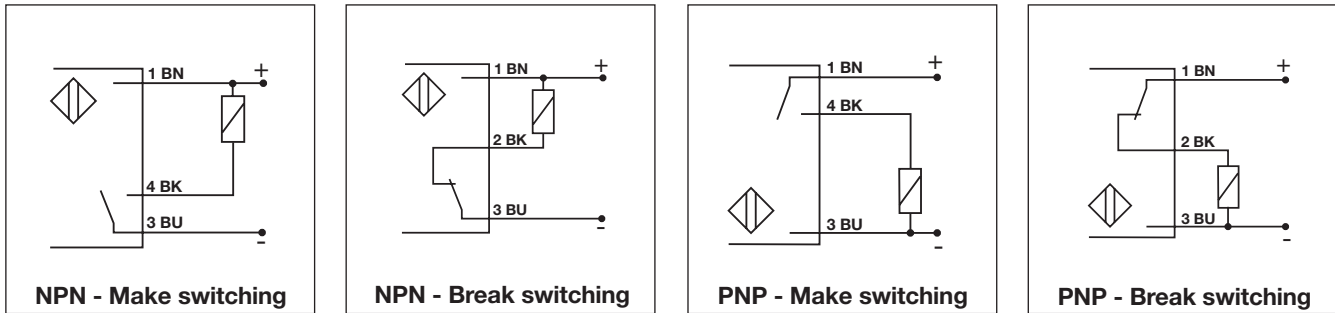
Rated operating dist. (S <sub>n</sub> )	Conn. type	Ordering no. Transistor NPN Make switching	Ordering no. Transistor NPN Break switching	Ordering no. Transistor PNP Make switching	Ordering no. Transistor PNP Break switching
1.0 mm <sup>1)</sup>	Cable	IA 05 BSF 10 NO P	IA 05 BSF 10 NC P	IA 05 BSF 10 PO P	IA 05 BSF 10 PC P
1.0 mm <sup>1)</sup>	Plug	IA 05 BSF 10 NO M5 P	IA 05 BSF 10 NC M5 P	IA 05 BSF 10 PO M5 P	IA 05 BSF 10 PC M5 P

<sup>1)</sup> For flush mounting in metal

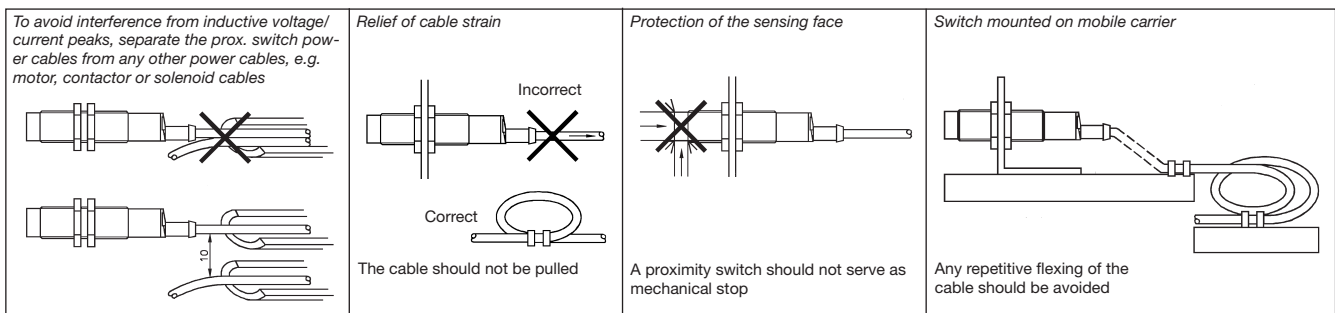
## Specifications

Rated operational volt. (U <sub>B</sub> )	10 to 30 VDC (ripple included)	Degree of protection	IP 67 (Nema 1, 3, 4, 6, 13)
Ripple	≤ 10%	Housing material	Stainless steel, AISI 303
Rated operational current (I <sub>o</sub> ) Continuous	≤ 200 mA	CE-marking	Yes
No-load supply current (I <sub>o</sub> )	≤ 10 mA (ON)	Connection	2 m, PVC, oil proof M8, CONH5A-xxx Serie
Voltage drop (U <sub>d</sub> )	< 1.0 V (@ I <sub>max</sub> )	Cable	
Protection	Transients, reverse polarity and short-circuit protection	Plug	
Frequency of operating cycles (f)	2000 Hz		
Indication for output ON	LED, red		
Effective operating dist. (S <sub>r</sub> )	0.9 x S <sub>n</sub> ≤ S <sub>r</sub> ≤ 1.1 x S <sub>n</sub>		
Usable operating dist. (S <sub>u</sub> )	0.85 x S <sub>r</sub> ≤ S <sub>u</sub> ≤ 1.15 x S <sub>r</sub>		
Ambient temperature			
Operating	-25° to +70°C (-13° to +158°F)		
Storage	-30° to +75°C (-22° to +167°F)		

## Wiring Diagrams



## Installation Hints



## Dimensions

