

# Proximity Sensors Inductive Stainless Steel Housing Types IA, Ø6.5

CARLO GAVAZZI



- Miniature Ø6.5 stainless steel housing
- Short housing
- Sensing distance: 1.0 and 2.0 mm
- Power supply: 10 to 30 VDC
- Output: Transistor NPN/PNP, make or break switching
- Protection: Short-circuit, reverse polarity and transients
- LED-indication for output ON
- For flush mounting/non flush mounting
- 2 m PVC cable or M8 plug

## Product Description

Inductive proximity sensor in Ø6.5 stainless steel housing for flush or non-flush mounting in metal.

Output configuration for NPN/PNP with both NO and NC types as standard. Connection with 2 m PVC cable or M8 plug.

## Ordering Key IA 06 BSF 10 NO M5

Type	IA
Housing style	06
Housing size	BSF
Housing material	10
Housing length	NO
Detection principle	M5
Sensing distance	
Output type	
Output configuration	
Connection	

## Type Selection

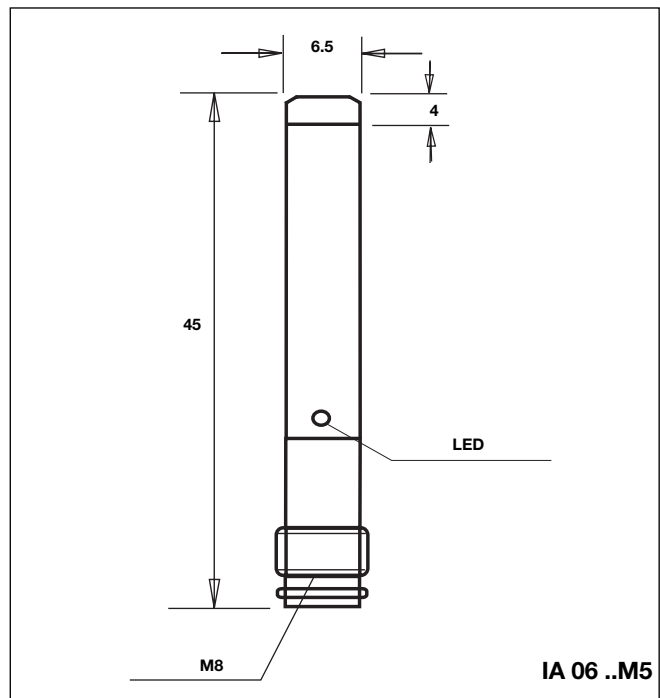
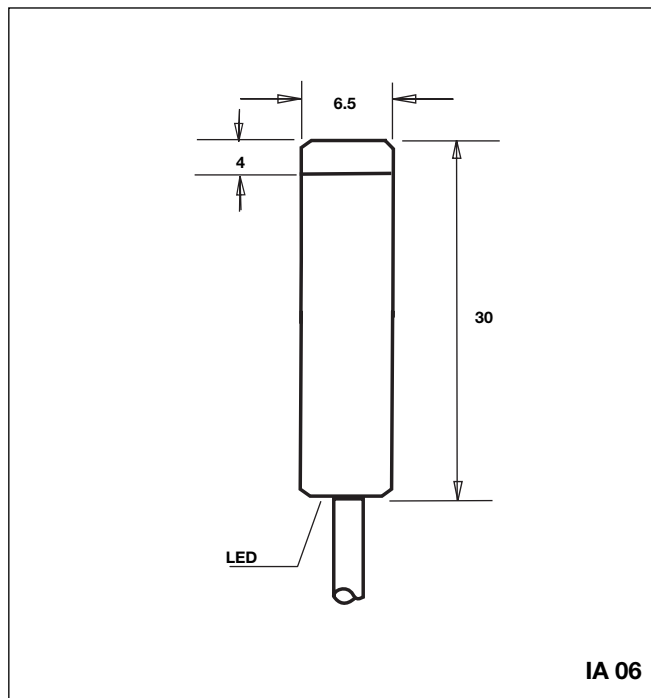
Rated operating dist. (S <sub>n</sub> )	Conn. type	Ordering no. Transistor NPN Make switching	Ordering no. Transistor NPN Break switching	Ordering no. Transistor PNP Make switching	Ordering no. Transistor PNP Break switching
1.0 mm <sup>1)</sup>	Cable	IA06BSF10NO	IA06BSF10NC	IA06BSF10PO	IA06BSF10PC
1.0 mm <sup>1)</sup>	Plug	IA06BSF10NOM5	IA06BSF10NCM5	IA06BSF10POM5	IA06BSF10PCM5
2.0 mm	Cable	IA06BSN20NO	IA06BSN20NC	IA06BSN20PO	IA06BSN20PC
2.0 mm	Plug	IA06BSN20NOM5	IA06BSN20NCM5	IA06BSN20POM5	IA06BSN20PCM5

<sup>1)</sup> For flush mounting in metal

## Specifications

Rated operational volt. (U <sub>B</sub> )	10 to 30 VDC (ripple included)	Degree of protection	IP 67 (Nema 1, 3, 4, 6, 13)
Ripple	≤ 10%	Housing material	Stainless steel
Rated operational current (I <sub>a</sub> ) Continuous	≤ 200 mA	CE-marking	Yes
No-load supply current (I <sub>o</sub> )	≤ 10 mA (ON)	Connection	2 m, PVC M8, CONH5A-xxx Serie
Voltage drop (U <sub>d</sub> )	< 1.0 V (@ I <sub>max</sub> )	Cable	
Protection	Short-circuit, reverse polarity and transients	Plug	
Frequency of operating cycles (f)	2 kHz		
Indication for output ON	LED, red		
Effective operating dist. (S <sub>r</sub> )	0.9 x S <sub>n</sub> ≤ S <sub>r</sub> ≤ 1.1 x S <sub>n</sub>		
Usable operating dist. (S <sub>u</sub> )	0.85 x S <sub>r</sub> ≤ S <sub>u</sub> ≤ 1.15 x S <sub>r</sub>		
Ambient temperature			
Operating	-25° to +70°C (-13° to +158°F)		
Storage	-30° to +75°C (-22° to +167°F)		

## Dimensions



## Installation Hints

<p><i>To avoid interference from inductive voltage/current peaks, separate the prox. switch power cables from any other power cables, e.g. motor, contactor or solenoid cables</i></p>	<p><i>Relief of cable strain</i></p> <p>The cable should not be pulled</p>	<p><i>Protection of the sensing face</i></p> <p>A proximity switch should not serve as mechanical stop</p>	<p><i>Switch mounted on mobile carrier</i></p> <p>Any repetitive flexing of the cable should be avoided</p>
--	--	--	---

## Wiring Diagrams

