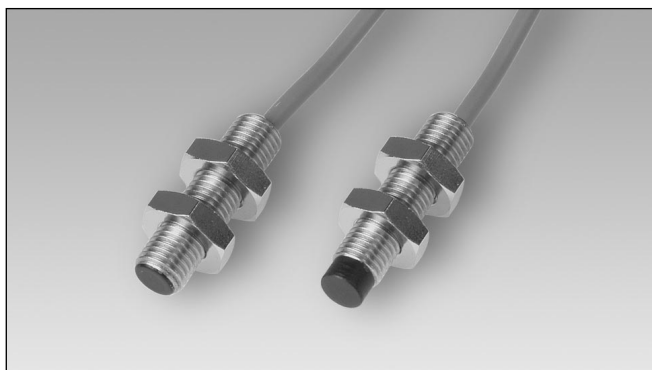


Proximity Sensors Inductive Extended Range, Stainless Steel Housing Types IA, DC, M8, 2-wire

CARLO GAVAZZI



- Sensing distance: 2 to 4 mm
- Flush and non-flush types
- Power supply: 10 to 30 VDC
- Output: Transistor
- Make or break switching
- Protection: Reverse polarity, short-circuit and transients
- 2 m cable
- Diameter: M8

Product Description

M8 proximity switch with extended sensing range in stainless steel housing. Made in accordance with Euronorm EN 60 947-5-2.

Ordering Key

IA 08 BSF 02 DO

Ind. proximity switch	IA
Housing style	08
Housing size	BSF
Housing material	02
Housing length	DO
Detection principle	
Sensing distance	
Output type	
Output configuration	

Type Selection

Housing diameter	Body style	Connec- tion	Rated operating dist. (S _n)	Ordering no. 2 wire DC Normally open	Ordering no. 2 wire DC Normally closed
M8	Short	Cable	2 mm ¹⁾	IA 08 BSF 02 DO	IA 08 BSF 02 DC
M8	Short	Cable	4 mm ²⁾	IA 08 BSN 04 DO	IA 08 BSN 04 DC

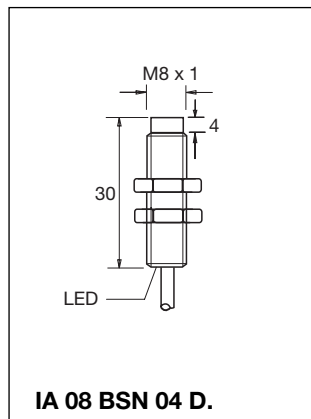
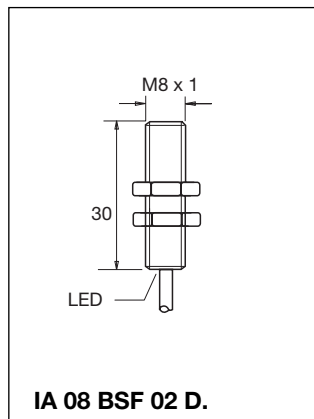
¹⁾ For flush mounting in metal

²⁾ For non-flush mounting in metal

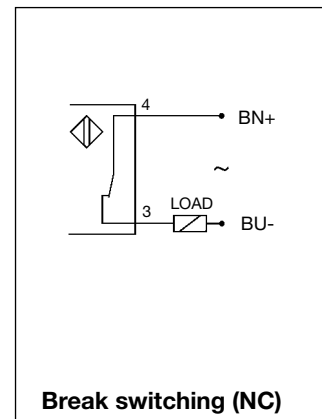
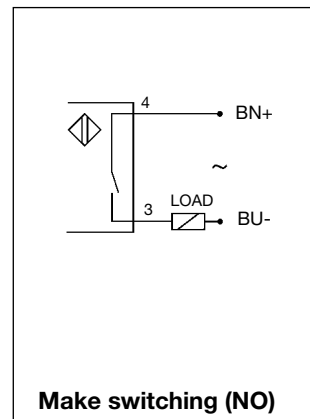
Specifications

Rated operational volt. (U_B)	10 to 30 VDC (ripple included)	Ambient temperature	
Ripple	≤ 10%	Operating	-25° to +70°C (-13° to +158°F)
Rated operational current (I_e)		Storage	-30° to +80°C (-22° to +176°F)
Continuous	≤ 3-100 mA	Degree of protection	IP 67 (Nema 1, 3, 4, 6, 13)
No-load supply current (I)	≤ 1.2 mA	Housing material	
Voltage drop (U_d)	≤ 8 VDC at max. load	Body	Stainless steel
Protection	Reverse polarity, short-circuit, transients	Front	Black thermoplastic polyester
Transient voltage	≤ 2 kV/0.5 J	Connection	Cable, 2 m, 2 x 0.5 mm ² , grey PVC, oil proof
Power ON delay	< 50 ms	CE-marking	Yes
Frequency of operating cycles (f)	2 kHz		
Indication	LED, yellow		
Repeat accuracy (R)	≤ 2 %		
Hysteresis (H) (Differential travel)	1 to 20% of sensing distance		
Assured operating dist. (S_a)	0 ≤ S _a ≤ 0.77 S _n		
Effective operating dist. (S_r)	0.9 x S _n ≤ S _r ≤ 1.1 x S _n		
Usable operating dist. (S)	0.85 x S _r ≤ S _u ≤ 1.15 x S _r		

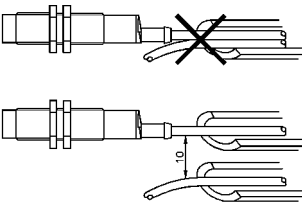
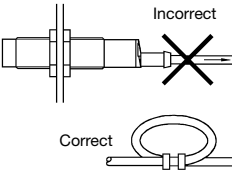
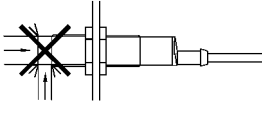
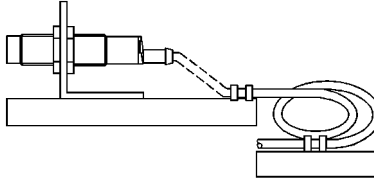
Dimensions



Wiring Diagrams



Installation Hints

<p><i>To avoid interference from inductive voltage/current peaks, separate the prox. switch power cables from any other power cables, e.g. motor, contactor or solenoid cables</i></p> 	<p><i>Relief of cable strain</i></p>  <p>Incorrect</p> <p>Correct</p> <p>The cable should not be pulled</p>	<p><i>Protection of the sensing face</i></p>  <p>A proximity switch should not serve as mechanical stop</p>	<p><i>Switch mounted on mobile carrier</i></p>  <p>Any repetitive flexing of the cable should be avoided</p>
---	---	---	--

Power Supplies

Power supplies VDC: > SS 130/140.